



ELECTRIC MOTORS



Vehicles



Marine



Hybrid



Robotics



Traction



Industrial



✓ EFFICIENT

✓ LIGHT

✓ POWERFUL

PERMANENT MAGNET DC ELECTRIC MOTORS

### LIGHT WEIGHT

3kg Weight

### EFFICIENT

Up to 88% efficiency

### RELIABLE

Limited moving parts

### ECO FRIENDLY

No emissions  
No fuel

### POWERFUL

Available from 12 to 48v

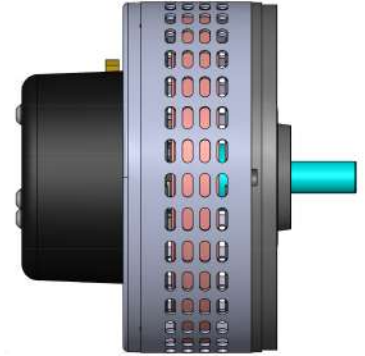
### LOW COST

Save on fuel bills

## MOTORS LEM-130

### Overview

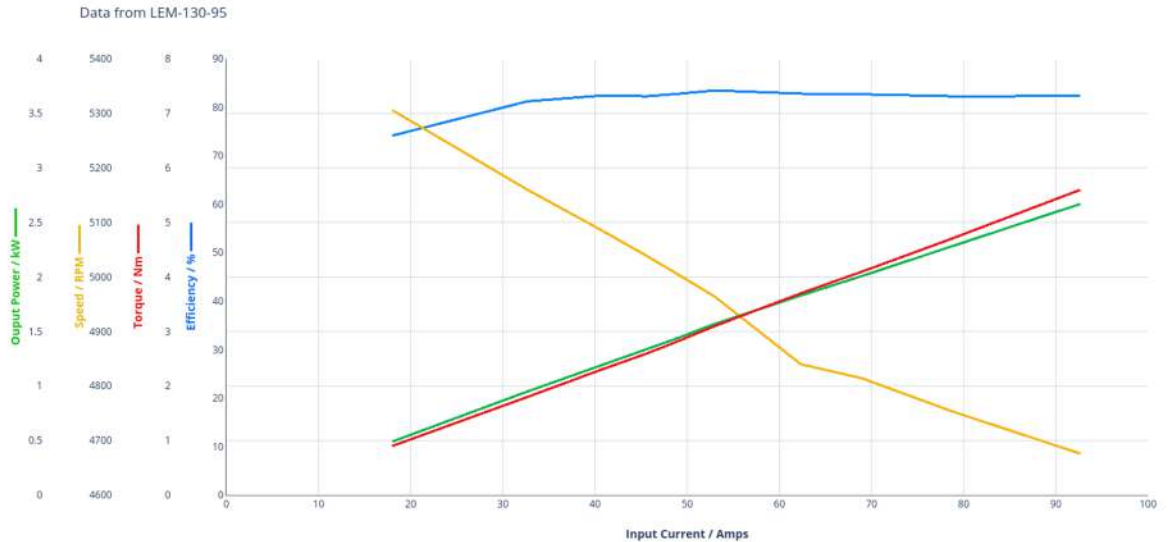
The LEM-130 is a 6 pole axial gap DC brushed motor suitable for light traction and robotic applications.



### Key Features

- Long brush life
- CE marked
- Ip20 rating
- Simple electronic control
- Durable construction
- Available in 95 and 95b options

### Typical Technical Data Curve



### Applications



Robots



Traction



Scooters & Mopeds



Small Vehicles



ELECTRIC MOTORS

Lynch Motor Company Ltd.  
 Unit 4 Flightway Dunkeswell, Honiton, Devon, EX14 4RJ  
 Tel: +0044 (0)1404 892940  
 Fax: +0044 (0)1404 891990  
 info@lynchmotors.co.uk

# MOTORS LEM-130

The LEM-130 is a 6 pole axial gap DC brushed motor suitable for light traction and robotic applications.



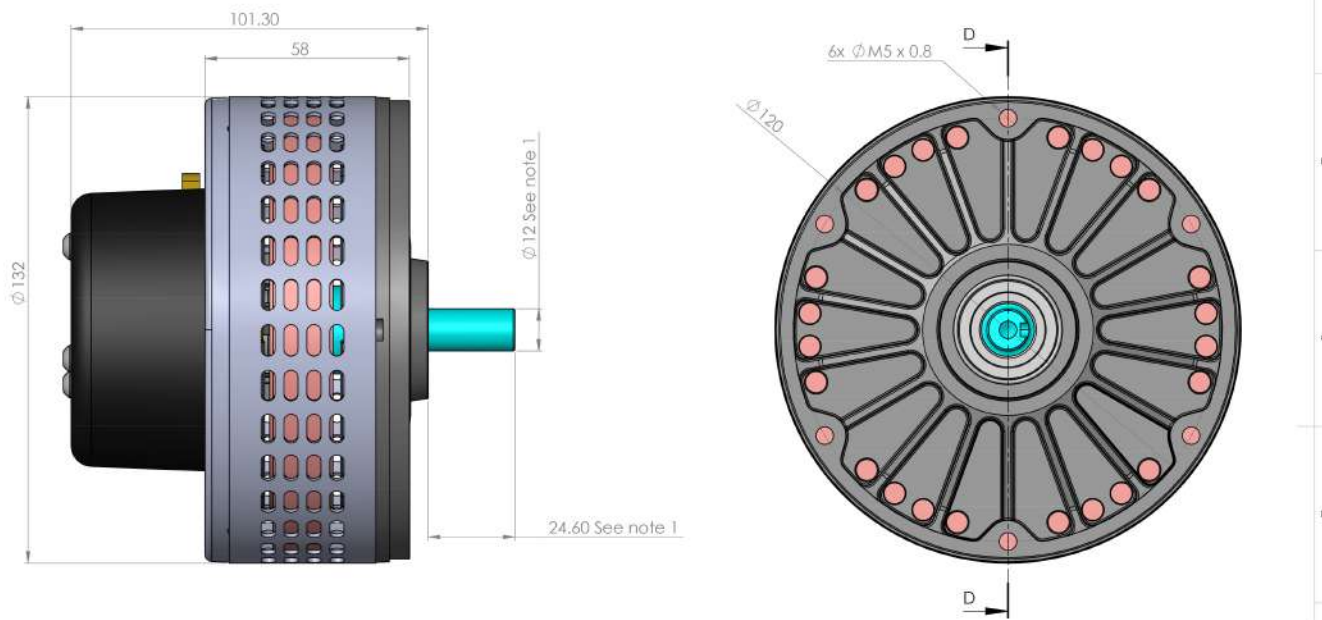
✓ EFFICIENT    ✓ LIGHT    ✓ POWERFUL

PERMANENT MAGNET DC ELECTRIC MOTORS

## Technical Data

Motor	No load Current A	Torque Constant Nm/A	Speed Constant Rpm/V	Armature Resistance DC mΩ	Armature Inductance @ 15kHz pH	Armature Inertia Kg·m <sup>2</sup>	Peak Power KW	Peak Efficiency %	Peak Current A	Rated Power kW	Rated Speed Rpm	Rated Voltage V	Rated Current A	Rated Torque Nm
95	6	0.0631	138	32.5	14	0.0116	3	82	100	2.27	4968	36	75	3.10
95B	6	0.0631	138	32.5	14	0.0117	4	88	100	3.02	6624	48	75	4.35

## SECTION A-A (Scale 1)



## Additional Information

All Lynch motors come with a 2 year warranty and are fully tested before delivery to our customer. Each motor is built to order in our UK factory by our skilled team, lead times for orders are dependent on volume and current order book, please ask for a production time frame when ordering. We are happy to discuss your application requirements with you, any recommendations our team make are based on the information you provide us.



Lynch Motor Company Ltd.  
Unit 4 Flightway Dunkeswell, Honiton, Devon, EX14 4RJ  
Tel: +0044 (0)1404 892940  
Fax: +0044 (0)1404 891990  
Info@lynchmotors.co.uk